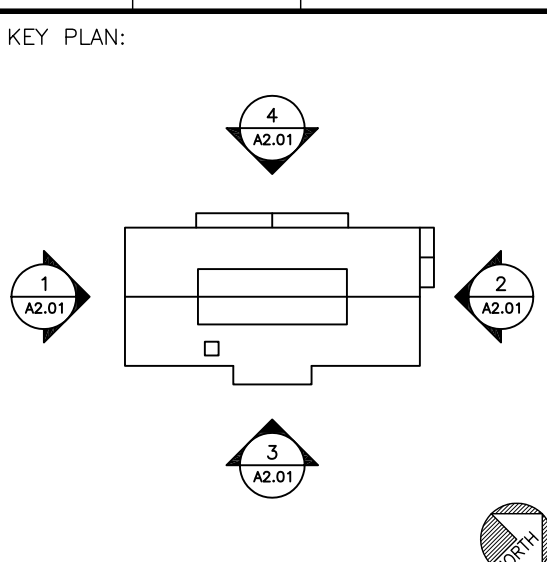


REVISION	DATE	COMMENTS
1	8/31/06	Addendum 1



PROJECT:  
GREEN WOODLANDS  
HOUSE/BARN PROJECT

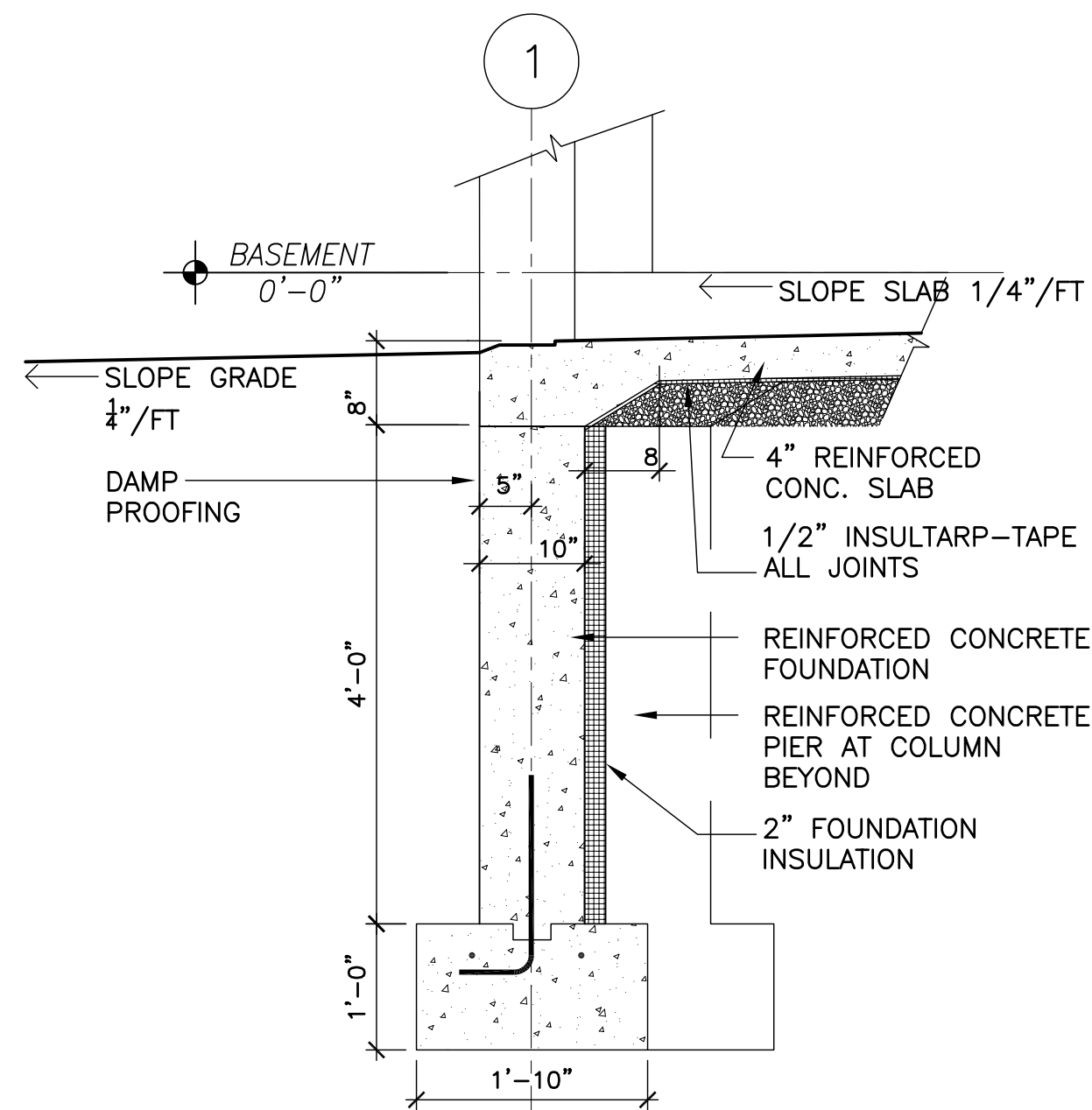
ISSUED:  
CONSTRUCTION DOCUMENTS

DRAWING TITLE:  
BASEMENT FLOOR PLAN,  
FOUNDATION ELEVATION,  
DETAILS

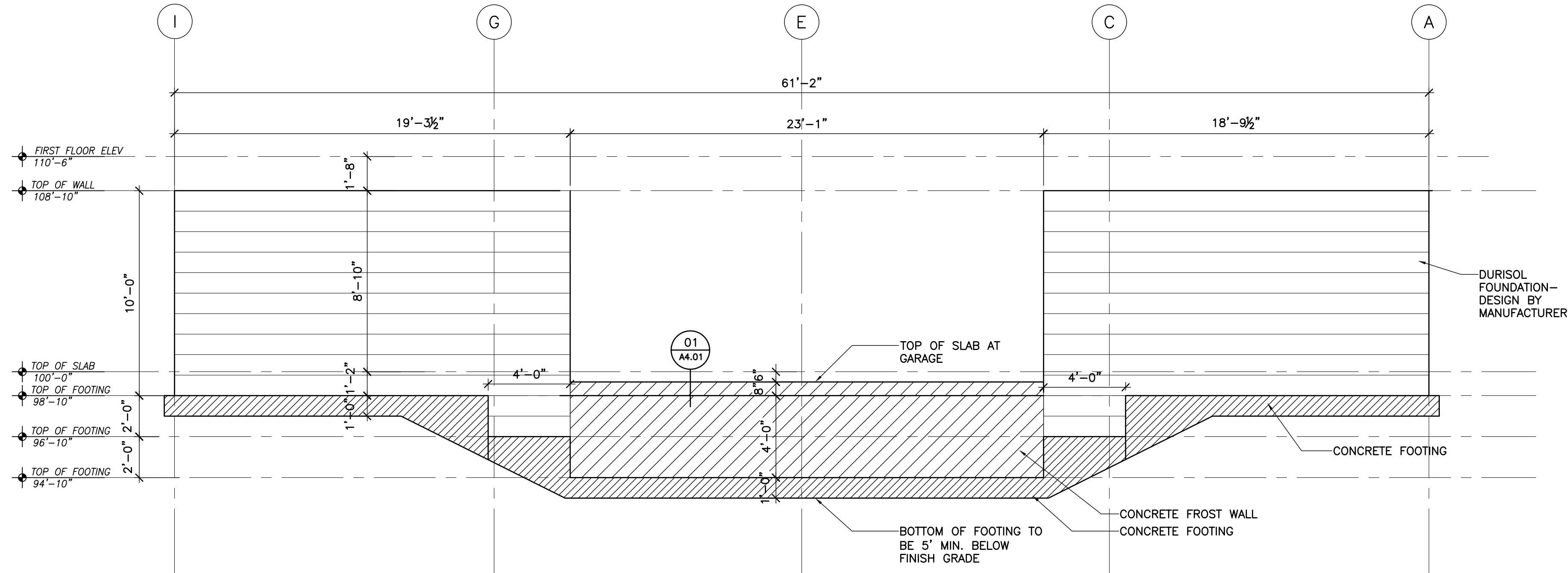
PROJECT NO: 570 DATE: 07/31/06

SHEET NUMBER:

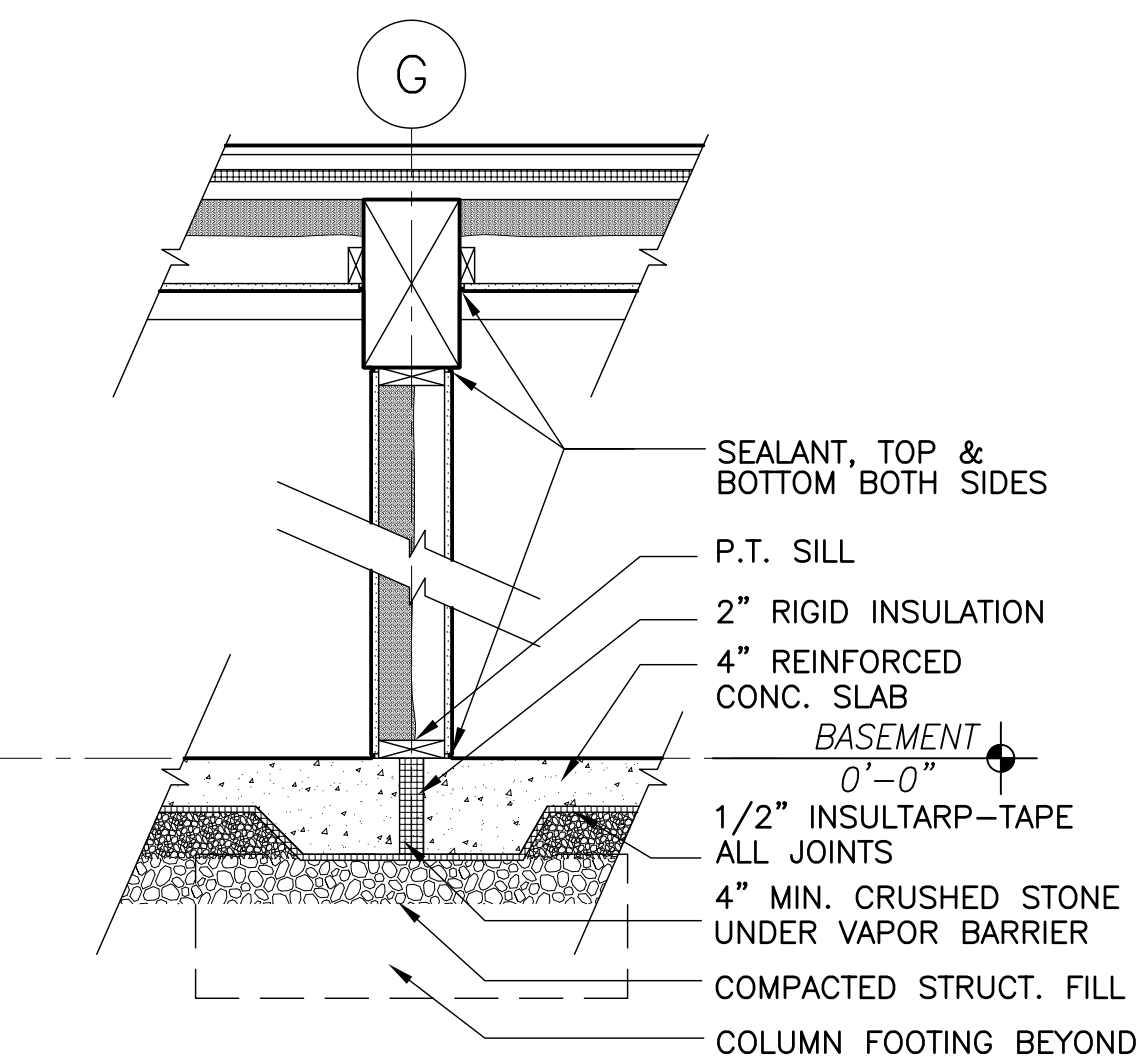
**A1.01**



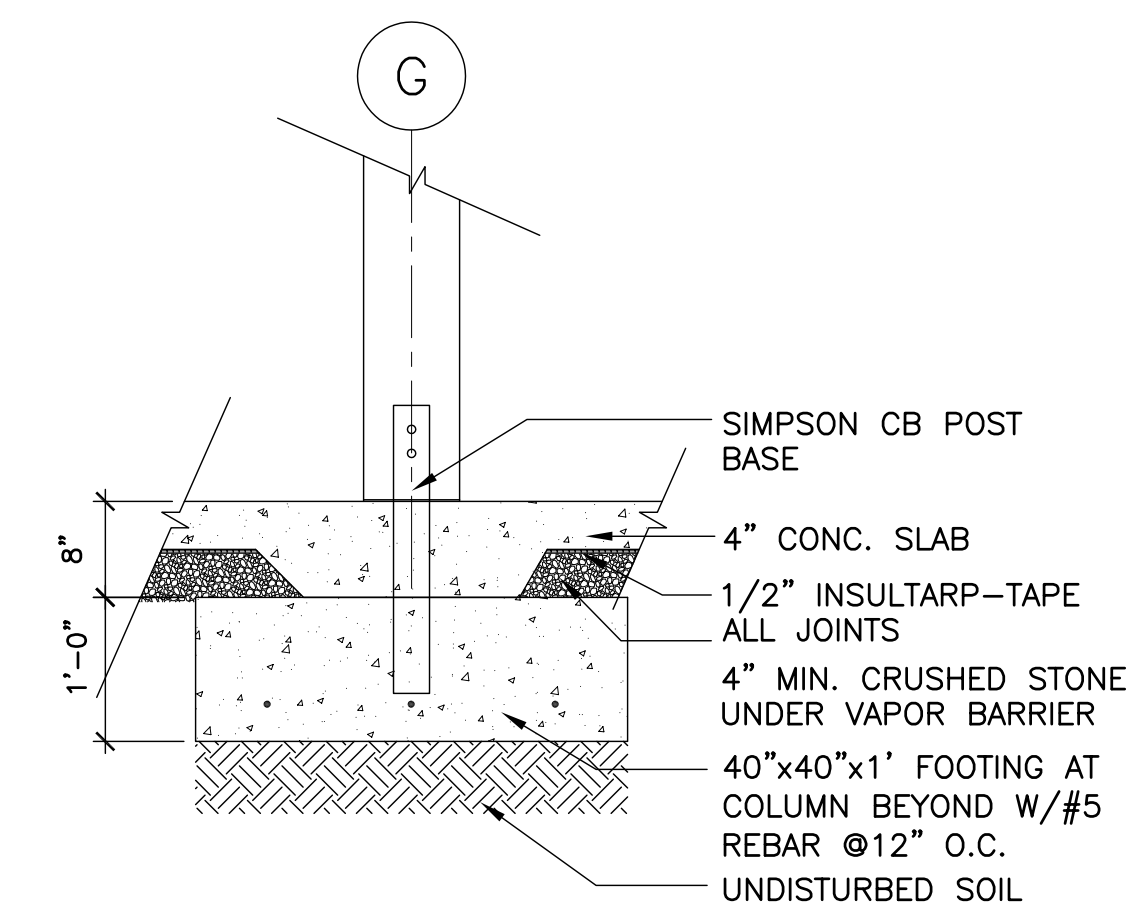
**05 FOUNDATION DETAIL**  
SCALE: 3/4"=1'-0"



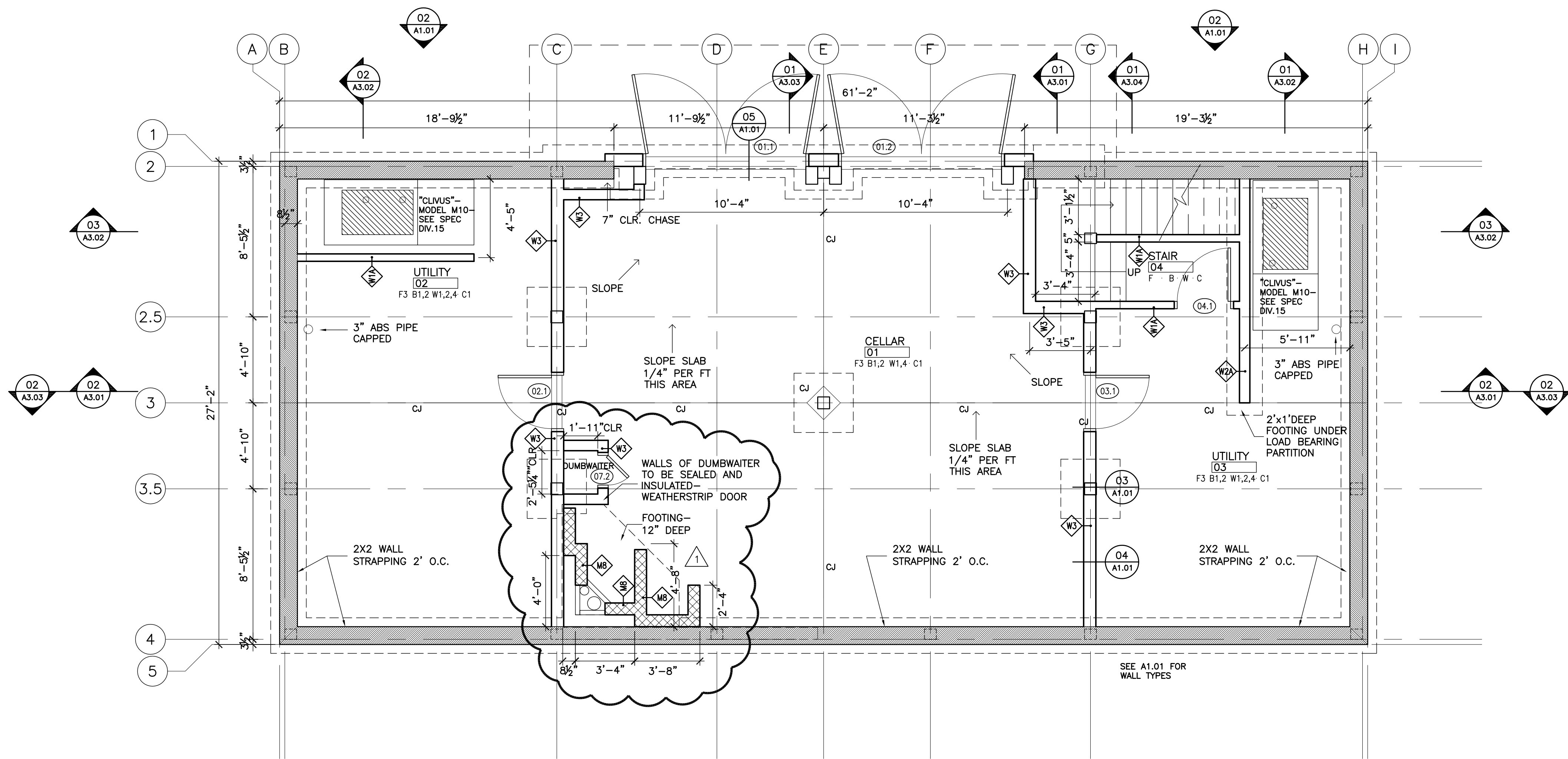
**02 FOUNDATION ELEVATION**  
SCALE: 1/4"=1'-0"



**04 BASEMENT PARTITION DETAIL**  
SCALE: 3/4"=1'-0"



**03 INTERIOR POST FOUNDATION DETAIL**  
SCALE: 3/4"=1'-0"



**01 BASEMENT/ FOUNDATION PLAN**  
SCALE: 1/4"=1'-0"

SCHEDULE OF FINISHES

FLOORS	BASE	WALLS	CEILINGS
F1 HARDWOOD	B1 5/4 X 6" WOOD	W1 PLASTER	C1 PLASTER
F2 STONE	B2 NO BASE	W2 WOOD	C2 EXPOSED WOOD DECK
F3 SEALED CONCRETE		W3 CERAMIC TILE	
		W4 NO FINISH	